

Product datasheet

Specifications



Door, PrismaSeT G, plain type for duct, 24M, W300, IP30, white, RAL 9003

LVS08188

Main

Range	PrismaSeT
Range Of Product	PrismaSeT G
Product Or Component Type	Door
Range Compatibility	PrismaSeT PrismaSeT G duct
Provided Equipment	door handle keylock (key 405) other keylock and insert to be ordered separately 2 hinge
Type Of Door	Plain
Ip Degree Of Protection	IP43 with door, canopy and IP43 gasket IP30 without door IP40 with door IP41 with door and canopy

Complementary

Installation Description	Wall-mounted duct - width 300 mm
Door Opening Side	Reversible
Number Of Locks	2
Door Opening Angle	130 °
Number Of Vertical Modules [50 Mm]	24
Enclosure Material	Handle: polyamide Cover frame: treated sheet steel
Quantity Per Set	Set of 1
Height	1230 mm
Width	300 mm
Depth	33 mm
Net Weight	4.4 kg
Surface Finish	Textured Matt
Colour	White (RAL 9003)

Environment

Ik Degree Of Protection	IK08 conforming to EN/IEC 62262
Standards	IEC 61439-2 IEC 61439-1

Protective Treatment	Electrophoresis treatment and hot-polymerised polyester epoxy powder
-----------------------------	--

Packing Units

Unit Type Of Package 1	PCE
-------------------------------	-----

Number Of Units In Package 1	1
-------------------------------------	---

Package 1 Height	7.000 cm
-------------------------	----------

Package 1 Width	34.000 cm
------------------------	-----------

Package 1 Length	129.500 cm
-------------------------	------------

Package 1 Weight	6.054 kg
-------------------------	----------

Unit Type Of Package 2	PAL
-------------------------------	-----

Number Of Units In Package 2	30
-------------------------------------	----

Package 2 Height	85.000 cm
-------------------------	-----------

Package 2 Width	120.000 cm
------------------------	------------

Package 2 Length	202.000 cm
-------------------------	------------

Package 2 Weight	209.650 kg
-------------------------	------------

Sustainability

Green Premium™ label is Schneider Electric's commitment to delivering products with best-in-class environmental performance. Green Premium promises compliance with the latest regulations, transparency on environmental impacts, as well as circular and low-CO₂ products.

Guide to assessing product sustainability is a white paper that clarifies global eco-label standards and how to interpret environmental declarations.

[Learn more about Green Premium >](#)

[Guide to assess a product's sustainability >](#)



Transparency RoHS/REACH

Well-being performance

Mercury Free

Rohs Exemption Information Yes

Pvc Free

Certifications & Standards

Reach Regulation

[REACH Declaration](#)

Eu Rohs Directive

Pro-active compliance (Product out of EU RoHS legal scope)

China Rohs Regulation

[China RoHS declaration](#)

Product out of China RoHS scope. Substance declaration for your information

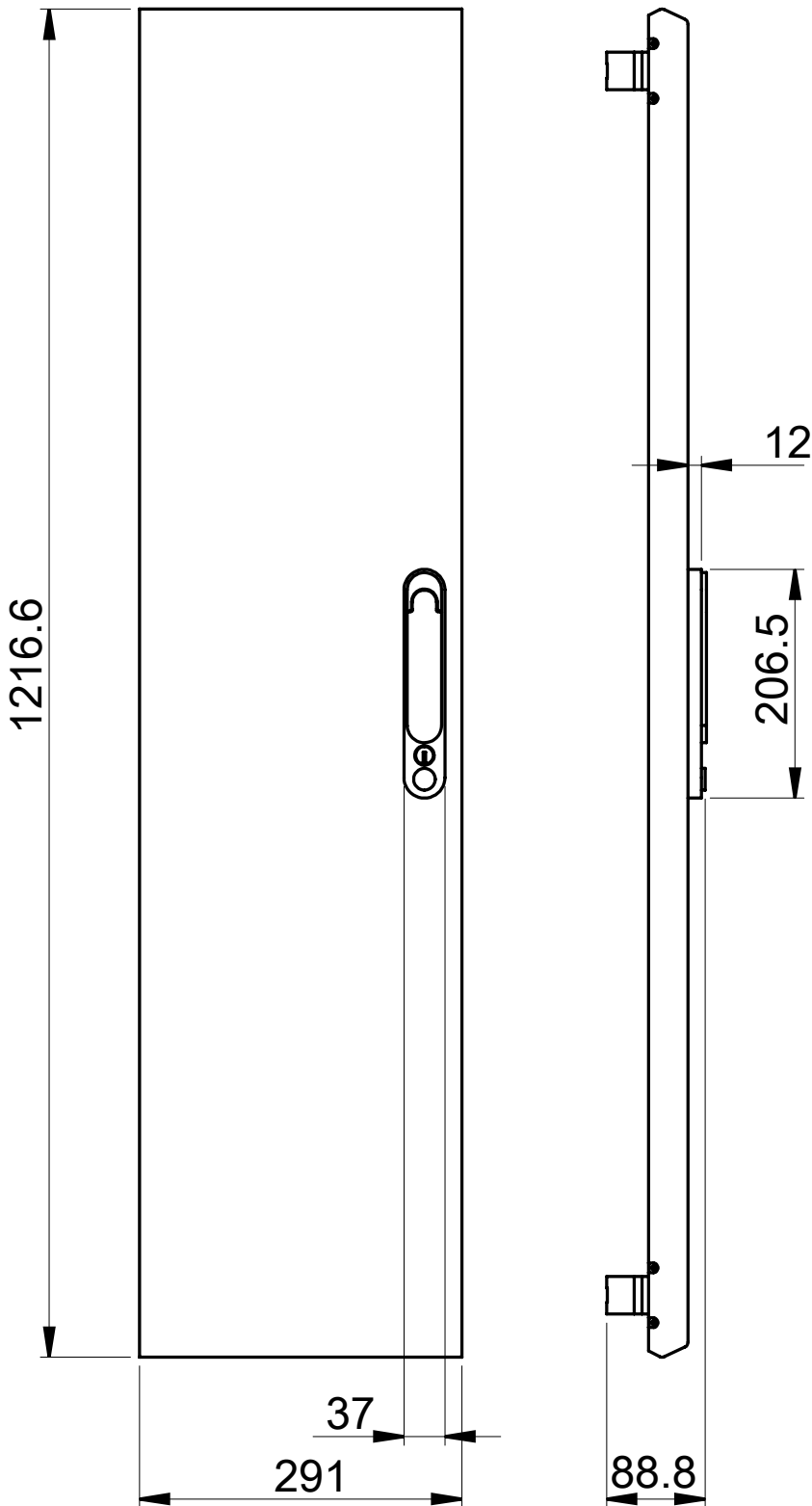
Environmental Disclosure

[Product Environmental Profile](#)

Circularity Profile

No need of specific recycling operations

Dimensions



- All dimensions are approximate and are in mm.
- Also see technical documentation.