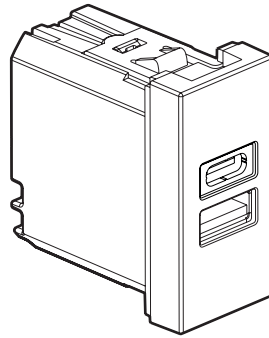


Arteor™ USB Type A+C charger - 15 W

Cat. No(s): 5 716 88/89/90/91



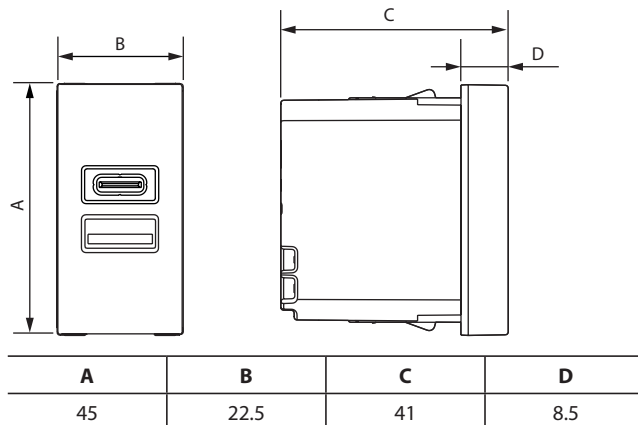
1. USE

For recharging portable devices such as phones, smartphones, MP3 or MP4, loudspeakers, watches, game consoles, powerbanks.

2. RANGE

| 15 W USB charger | White | Magnesium | Champagne | Soft Alu |
|----------------------|----------|-----------|-----------|----------|
| USB Type A+C charger | 5 716 88 | 5 716 89 | 5 716 90 | 5 716 91 |

3. OVERALL DIMENSIONS (mm)



4. CONNECTION

Type of terminals: with screws
Terminal capacity: 1 x 2.5 mm² - 2 x 1.5 mm²
Stripping length: 6 mm
Circuit Breaker: MAX. 16 A

Necessary safety precautions:



**Switch OFF the power at the main circuit breaker.
Make sure that the power is OFF before continuing
with the installation.**

5. TECHNICAL CHARACTERISTICS

■ 5.1 Mechanical characteristics

Impact tests: IK 04
Penetration by solid bodies/liquid: IP 40

■ 5.2 Material characteristics

Base: PC V-0 class
Cover: painted PC V-0 class

Self-extinguishing:

850°C/30 s for insulating components holding live parts in place.
650°C/30 s for other insulating components.

■ 5.3 Electrical characteristics

All values listed below are measured at an ambient temperature of + 20° and after 30 minutes of operation.

| | |
|--|---------------------|
| Nominal input voltage | 100-240 V~ |
| Nominal input frequency | 50/60 Hz |
| Nominal input current | 0.5 A |
| Max. nominal output current | 3.0 A |
| Max. output power | 15 W |
| Nominal output voltage | 5.0 V ^{DC} |
| Average efficiency in active mode | 85 % |
| Stand-by power consumption | < 0.1 W |
| Consumption class without load and average level of efficiency: Level VI | |
| Protection class | II - Low voltage |

Note: To optimize the charging time of your device, ensure turn it off during the charging phase.

■ 5.4 Climate characteristics

Storage temperature: -20°C to +70°C
Operating temperature: +5°C to +40°C

6. CLEANING

Surface cleaning with a cloth.
Do not use: acetone, tar remover, trichloroethylene.

Caution: Always test before using other special cleaning products

7. STANDARDS AND APPROVALS

Compliant with installation and manufacturing standards.
See e.catalogue