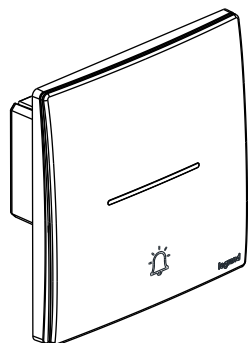


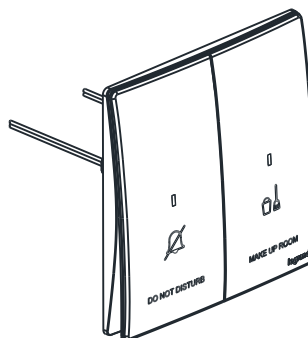
Mallia™ Senses

Internal & External DND/MUR for Hotel

Cat. No(s): 2 812 45/46 MW - 2 812 45/46 MB - 2 812 45/46 DS
2 812 45/46 CH - 2 812 45/46 DB
2 812 45/46 BA - 2 812 45/46 BB



2 812 45 XX



2 812 46 XX

1. USE

Hotel bedroom control units.
Enable the resident to inform hotel staff of the room status. Two settings are possible: "Do not disturb" or "Make up room".
(Supplied with M3.5 screws for Flush mounting or surface mounting BS boxes.)

2. RANGE

Designation	Cat. No.
EXTERNAL PANEL CORRIDOR 12V DND MUR	2 812 45 XX
INTERNAL ROOM CONTROLLER 250V 12V LED DND MUR	2 812 46 XX

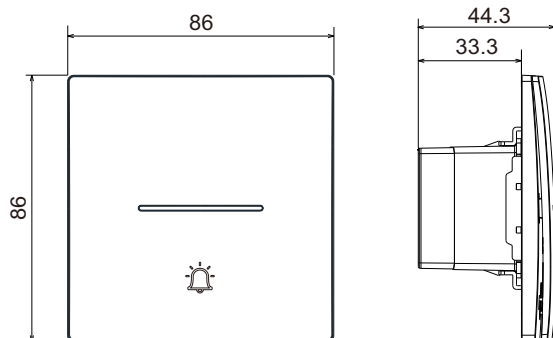
Colours

-Front: MW/MB/DS/CH/DB/BA/BB

-Rear: Grey

2 812 XX MW	Matt White
2 812 XX MB	Matt Black
2 812 XX DS	Dark Silver
2 812 XX CH	Champagne
2 812 XX DB	Dark Bronze
2 812 XX BA	Brushed Aluminium
2 812 XX BB	Brushed Black

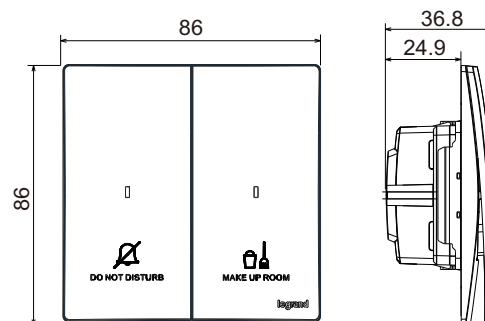
3. DIMENSIONS (mm)



2 812 45 XX

Minimum depth of the box ≥ 40 mm

3. DIMENSIONS (continued)



2 812 46 XX

4. CONNECTION

4.1 Terminals

Types of terminals: with screws

2 812 45 XX:

Terminal capacity: 3 X 1 mm²
3 X 1.5 mm²
2 X 2.5 mm²
1 X 4 mm²

Recommended stripping length: 12 mm

Recommended screwdriver size: <4 mm flat blade

2 812 46 XX:

Terminal capacity: 3 X 1 mm²
3 X 1.5 mm²
2 X 2.5 mm²
1 X 4 mm²

Recommended stripping length: 12 mm

Recommended screwdriver size: <4 mm flat blade

5. TECHNICAL CHARACTERISTICS

5.1 Material characteristics

Plate/Rocker: PC

Frame: Steel

Base: PC

Base cover: PP

Self-extinguishing:

+ 850° C / 30 s for insulating parts holding live parts in place

+ 650° C / 30 s for other parts made of insulating materials

5.2 Electrical characteristics

2 812 45 XX:

Voltage: 12VDC

Current: 16mA

Mallia™ Senses

Internal & External DND/MUR for Hotel

Cat. No(s): 2 812 45/46 MW - 2 812 45/46 MB - 2 812 45/46 DS
2 812 45/46 CH - 2 812 45/46 DB
2 812 45/46 BA - 2 812 45/46 BB

2 812 46 XX:
LED: 12VDC
Switch: 250V~ 10A

5.3 Climatic characteristics

Storage temperatures: -10°C to +70°C
Operating temperatures: -5°C to +50°C

5.4 Mechanical characteristics

Impact test: IK04
Protection against solids & liquids: IP20

6. CLEANING

Surface cleaning with a soft, slightly damp cloth.
Do not use: acetone, tar remover, trichloroethylene

7. CONFORMITY - APPROVALS

2 812 45 XX(1G DND/MUR/BELL PUSH BUTTON):

Conform to IEC 60669-2-1.

2 812 46 XX(2G DND/MUR SWITCH):

Conform to IEC 60669-1.