

Product datasheet

Specifications



Enclosure, PrismaSeT G, floor standing, 33M, W600mm, H1880mm, IP30

LVS08204

Main

Range	PrismaSeT
Range Of Product	PrismaSeT G
Product Or Component Type	Enclosure
Device Application	Low voltage electrical distribution
Enclosure Type	Functional enclosure delivered in kit form Metal enclosure Indoor enclosure
Enclosure/Cubicle Description	Floor-standing enclosure - width 600 mm
Kit Composition	uprights rear plate 2 side panel top plate bottom plate plinth
Additional Information	Can be combined side by side
Type Of Front Plate	Without to be ordered separately
Number Of Vertical Modules [50 Mm]	33
Number Of 18 Mm Modules Per Row	24
Standards	IEC 61439-1 IEC 61439-2 IEC 62208
Product Certifications	ASTA EAC

Complementary

[Ui] Rated Insulation Voltage	1000 V on main rear busbars conforming to IEC 61439-2
Network Frequency	50/60 Hz
[In] Rated Current	630 A at 40 °C conforming to IEC 61439-2
Short-Circuit Current	50 kA
[Icw] Rated Short-Time Withstand Current	25 kA 1 s conforming to IEC 61439-1
[Ipk] Rated Peak Withstand Current	53 kA conforming to IEC 61439-1
Electrical Insulation Class	Class I
Material	Treated sheet steel
Protective Treatment	Electrophoresis treatment and hot-polymerised polyester epoxy powder
Surface Finish	Textured Matt

Colour	White (RAL 9003)
Width	595 mm
Height	1880 mm with plinth:
Depth	205 mm
Net Weight	27.3 kg

Environment

Ip Degree Of Protection	IP30 with front plate IP40 with door IP41 with door and canopy IP43 with door, canopy and IP43 gasket
Ik Degree Of Protection	IK07 with front plate IK08 with transparent door IK10 with plain door
Mechanical Robustness	Seismic tests - 2.5G conforming to IEC 60068-2-57

Packing Units

Unit Type Of Package 1	PCE
Number Of Units In Package 1	1
Package 1 Height	10.500 cm
Package 1 Width	66.000 cm
Package 1 Length	190.000 cm
Package 1 Weight	28.850 kg
Unit Type Of Package 2	PAL
Number Of Units In Package 2	8
Package 2 Height	97.000 cm
Package 2 Width	120.000 cm
Package 2 Length	202.000 cm
Package 2 Weight	258.000 kg

Sustainability

Green Premium™ label is Schneider Electric's commitment to delivering products with best-in-class environmental performance. Green Premium promises compliance with the latest regulations, transparency on environmental impacts, as well as circular and low-CO₂ products.

Guide to assessing product sustainability is a white paper that clarifies global eco-label standards and how to interpret environmental declarations.

[Learn more about Green Premium >](#)

[Guide to assess a product's sustainability >](#)



Transparency RoHS/REACH

Well-being performance

✓ Reach Free Of Svhc

✓ Toxic Heavy Metal Free

✓ Mercury Free

✓ Rohs Exemption Information Yes

✓ Pvc Free

Certifications & Standards

Reach Regulation

[REACH Declaration](#)

Eu Rohs Directive

Pro-active compliance (Product out of EU RoHS legal scope)

[EU RoHS Declaration](#)

China Rohs Regulation

[China RoHS declaration](#)

Pro-active China RoHS declaration (out of China RoHS legal scope)

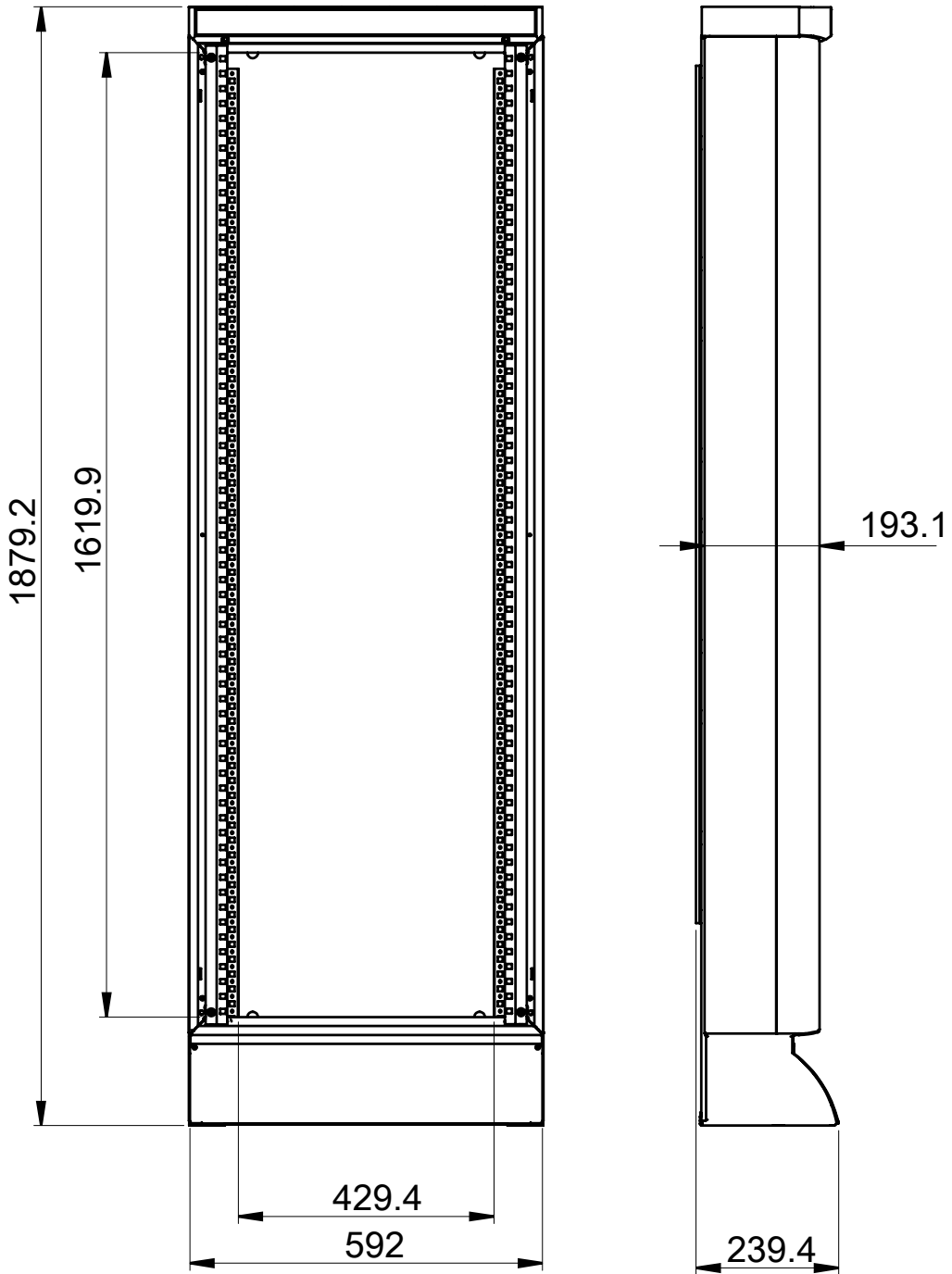
Environmental Disclosure

[Product Environmental Profile](#)

Circularity Profile

No need of specific recycling operations

Dimensions



- All dimensions are approximate and are in mm.
- Also see technical documentation.