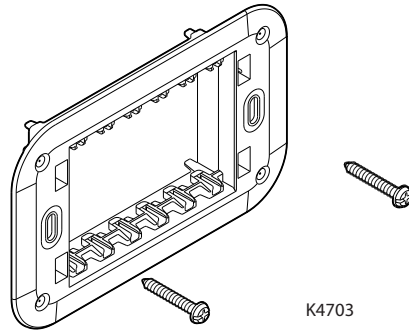


Supporting frames



K4703

1. USE

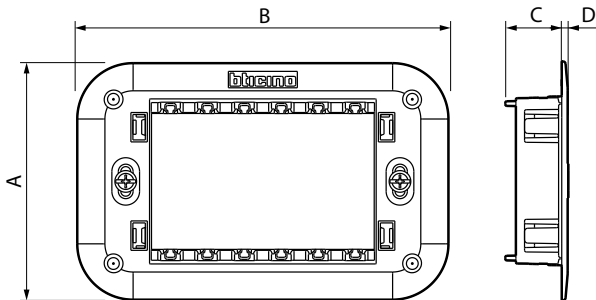
Supporting frames for mounting Living Now mechanisms.
The supporting frames are supplied with transparent protection.

2. RANGE

DESCRIPTION	Cat. Nos
Supporting frame 2 modules	K4702
Supporting frame 3 modules	K4703
Supporting frame 4 modules	K4704
Supporting frame 6 modules	K4706

3. OVERALL DIMENSIONS (mm)

■ Supports frame 3 modules - K4703



Cat. Nos	A	B	C	D
K4702	72	76	12	6,3
K4703	72	113	17	2
K4704	72	135.5	17	2
K4706	72	187	17	3

4. MOUNTING

The supporting frames are screwed to flush mounting boxes.
Lenght included screws 23 mm.

5. TECHNICAL CHARACTERISTICS

- **5.1 Material characteristics**
Supports are in PA gless fiber reinforced.
- **5.2 Electrical characteristics**
Self-extinguishing: 650°C/30 s
- **5.3 Climatic characteristics**
Storage temperature: - 10°C to + 70°C
Use temperature: - 5°C to + 50°C