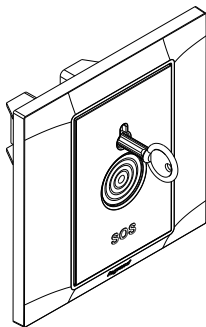


Belanko™ S Security switch

Cat. No(s): 6 17X 19



6 17X 19

CONTENTS

- 1. Use.....1
- 2. Range.....1
- 3. Preparation.....1
- 4. Overall dimensions.....1
- 5. Connection.....2
- 6. Technical characteristics.....2
- 7. Cleaning.....2
- 8. Conformity - Approvals.....2

1. USE

Security switch used for emergencies.
(Supplied with M3.5 screws for BS boxes. Flush mounting or surface mounting.)

2. RANGE

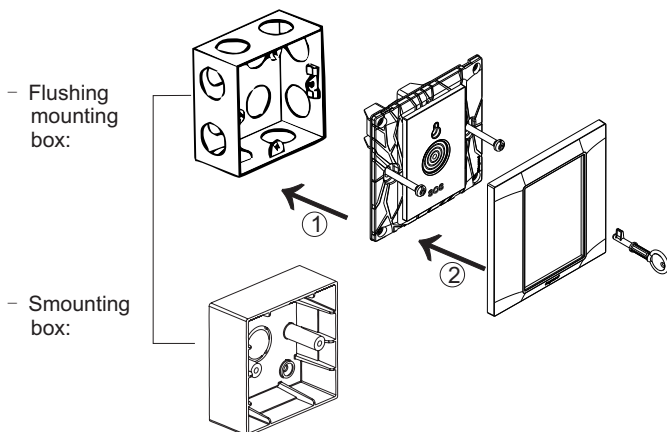
	Designation	Cat. No.	Weight(g)
	SECURITY SWITCH 1A	6 17X 19	58.6

Colours

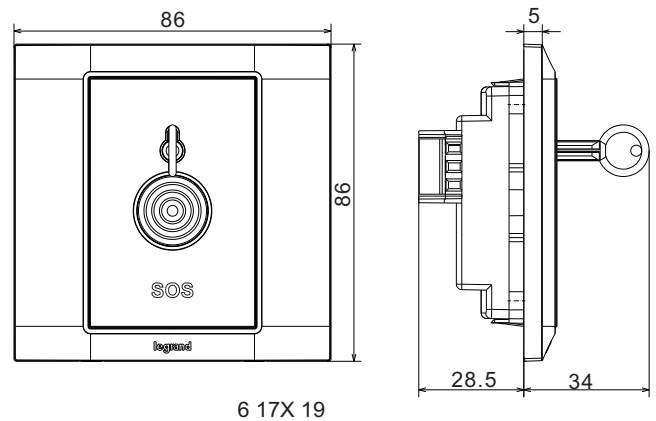
- Front: white/anthracite/ivory
- Rear: grey
- 6 176 19 White
- 6 177 19 Anthracite
- 6 178 19 Ivory

3. PREPARATION

3.1 General preparation



4. OVERALL DIMENSIONS



Profile Size: 86 × 86mm
Distance of installation hole: 60.3 mm
Minimum depth of the box > 35 mm

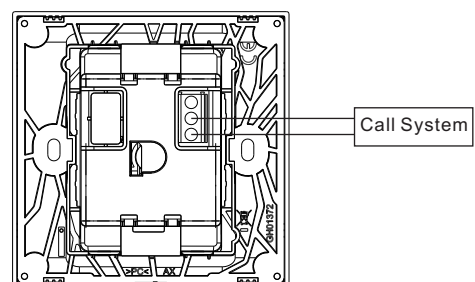
5. CONNECTION

5.1 Terminals

- Terminal capacity: 2 X 1 mm²
- 2 X 1.5 mm²
- 1 X 2.5 mm²

Recommended screwdriver size: <4 mm flat blade
Recommended stripping length: 12 mm
Recommended terminal tightening torque: 0.5Nm

5.2 Circuit diagrams



6. TECHNICAL CHARACTERISTICS

6.1 Material characteristics

Plate: Polycarbonate

Frame: Polycarbonate

Base: PP

Self-extinguishing:

+ 850° C / 30 s for insulating parts holding live parts in place

+ 650° C / 30 s for other parts made of insulating materials

6.2 Electrical characteristics

Voltage: 250V~

Current: 1A

6.3 Climatic characteristics

Storage temperatures: -10°C to +70°C

Operating temperatures: -5°C to +50°C

6.4 Mechanical characteristics

Impact test: IK04

Protection against solids & liquids: IP20

7. CLEANING

Surface cleaning with a soft, slightly damp cloth.

Do not use: acetone, tar remover, trichloroethylene

8. CONFORMITY - APPROVALS

Compliance with installation and manufacturing standards.

Refer to e-catalogue.