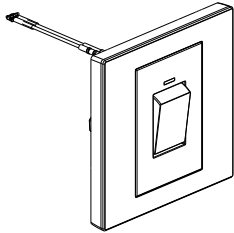
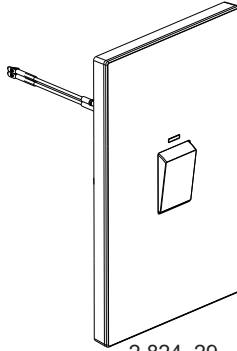


Galion™ 45A DP switches

Cat. No(s): 2 824 26/26m/27/27m/28/29
K8/31D45AN-HK



2 824 26/26m/27/27m/28
K8/31D45AN-HK



2 824 29

CONTENTS

1. Use.....	1
2. Range.....	1
3. Preparation.....	1
4. Overall dimensions.....	2
5. Connection.....	2
6. Technical characteristics.....	2
7. Cleaning.....	2
8. Conformity - Approvals.....	2

1. USE

High capacity double pole switches for the control of fixed appliances eg. cooker ovens units, shower or air-conditioning units, Version available with LED "power on" indicator. (Supplied with M3.5 screws for BS boxes. Flush mounting or Surface mounting.)

2. RANGE

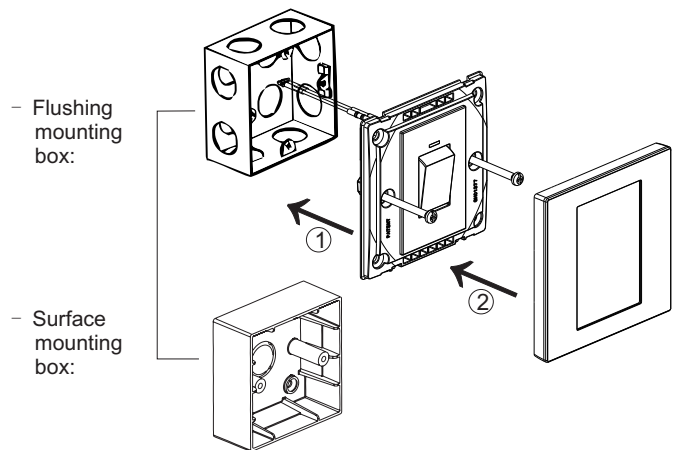
	Designation	Cat. No.	Weight (g)	Characteristics
	45A DP switch with LED indicator	2 824 26	125	45 A - 250VAC
	45A DP switch with LED indicator with red rocker	2 824 27	125	45 A - 250VAC
	45A DP switch with LED indicator with red rocker	K8/31D45AN-HK	125	45 A - 250VAC
	45A DP Switch cooker marking	2 824 28	125	45 A - 250VAC
	2G Vertical 1W 45A DP switch	2 824 29	150	45 A - 250VAC

Colours

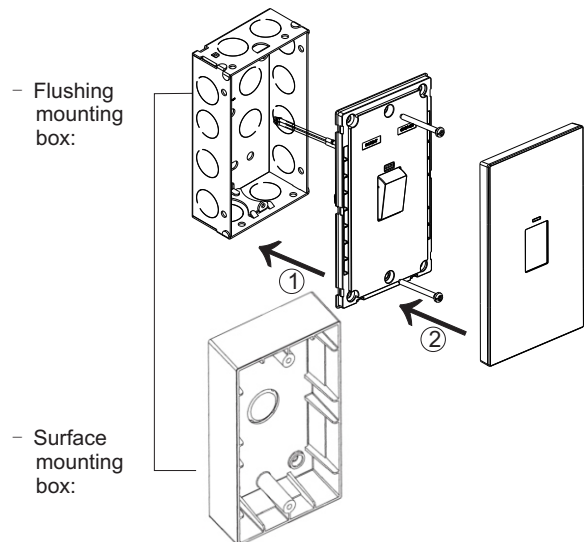
- Front: white/rose golden/champagne/dark silver
- Rear: white/rose golden/champagne/dark silver
- X XXX XX White
- X XXX XX-C Matt black
- X XXX XX-C1 Rose golden
- X XXX XX-C2 Champagne
- X XXX XX-C3 Dark silver

3. PREPARATION

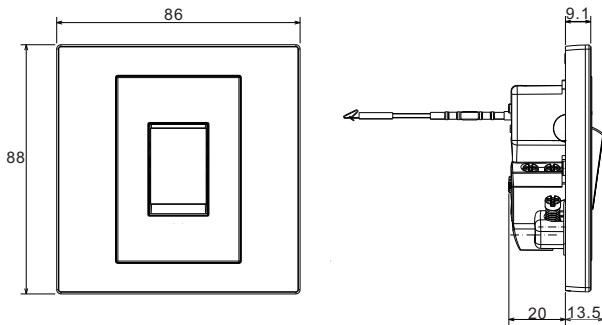
3.1 General preparation for 1G switch



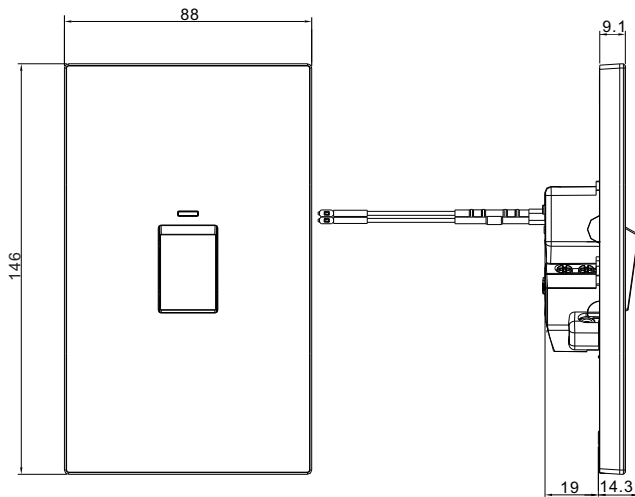
3.2 Preparation for 2G vertical switch



4. OVERALL DIMENSIONS



Profile Size: 86 × 88 mm
 Distance of installation hole: 60.3 mm



Profile Size: 88 × 146 mm
 Distance of installation hole: 120.6 mm

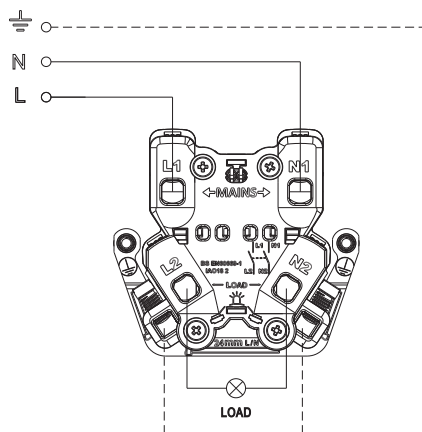
5. CONNECTION

5.1 Terminals

Terminal capacity: 2 × 6 mm²
 1 × 10 mm²

Recommended screwdriver size: 4 mm flat blade
 Recommended stripping length: 20 mm

5.2 Circuit diagrams



6. TECHNICAL CHARACTERISTICS

6.1 Material characteristics

Cover, Plate: Polycarbonate
 Rocker: Polycarbonate
 Frame: Polycarbonate
 Base: Polyamide
 Self-extinguishing:
 + 850° C / 30 s for insulating parts holding live parts in place
 + 650° C / 30 s for other parts made of insulating materials

6.2 Electrical characteristics

Voltage: 250VAC
 Current: 45A

6.3 Climatic characteristics

Storage temperatures: -10°C to +70°C
 Operating temperatures: -5°C to +50°C

6.4 Mechanical characteristics

Impact test: IK04
 Protection against liquids: IP20

7. CLEANING

Surface cleaning with a soft, slightly damp cloth.
 Do not use: acetone, tar remover, trichloroethylene

8. CONFORMITY - APPROVALS

Conform to BS EN 60669-1; MS/IEC 60669-1