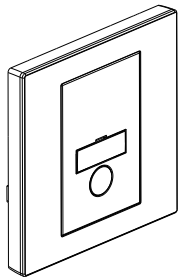
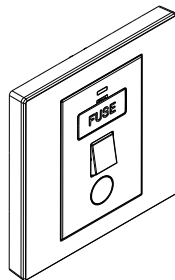


Galion™ Fused connection unit

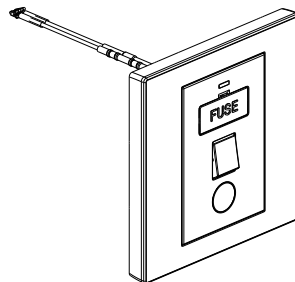
Cat. No(s): 2 824 50/50m/51/51m/53
K8/426/13F-HK K8/15/13F-HK K8/15/13FN



2 824 50/50m
K8/426/13F-HK



2 824 51/51m
K8/15/13F-HK



282453
K8/15/13FN

CONTENTS

1. Use.....	1
2. Range.....	1
3. Preparation.....	1
4. Overall dimensions.....	1
5. Connection.....	2
6. Operation.....	2
7. Technical characteristics.....	2
8. Cleaning.....	2
9. Conformity - Approvals.....	2

1. USE

Overload protection.
(Supplied with M3.5 screws for BS boxes. Flush mounting or Surface mounting.)

2. RANGE

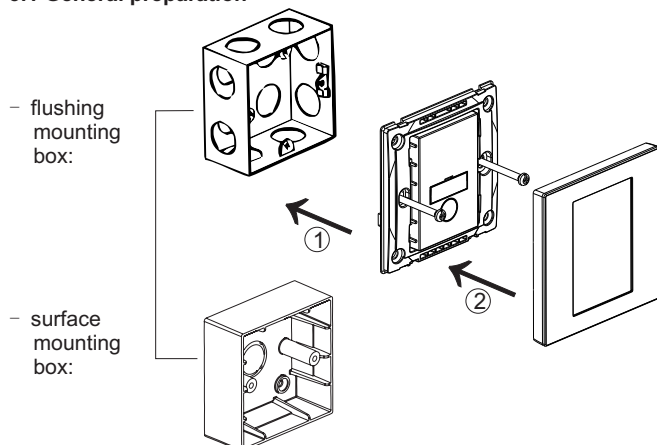
	Designation	Cat. No.	Weight (g)	Characteristics
	1G 13A Fused Spur Unit	2 824 50/50m K8/426/13F-HK	40	13A - 250VAC
	1G 13A Fused Spur Unit with Switch	2 824 51/51m K8/15/13F-HK	46.7	13A - 250VAC
	1G 13A Fused Spur Unit with Switch and lamp	2 824 53 K8/15/13FN	47.9	13A - 250VAC

Colours

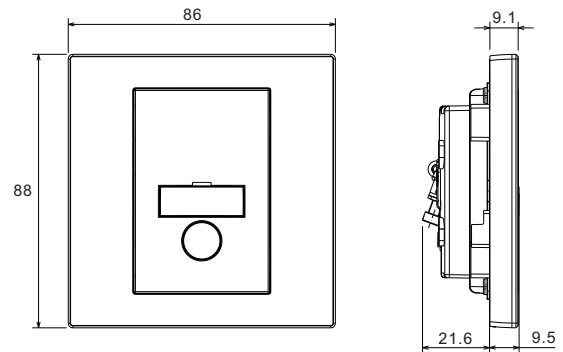
- front: white/rose golden/champagne/dark silver
- rear: white/rose golden/champagne/dark silver
- X XXX XX white
- X XXX XX-C matt black
- X XXX XX-C1 rose golden
- X XXX XX-C2 champagne
- X XXX XX-C3 dark silver

3. PREPARATION

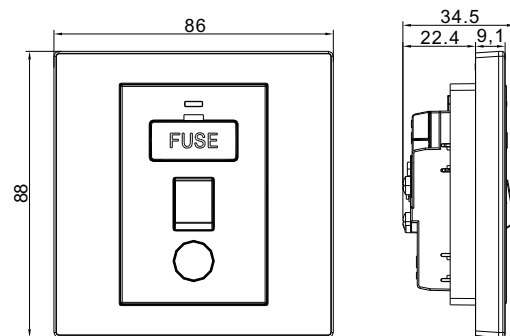
3.1 General preparation



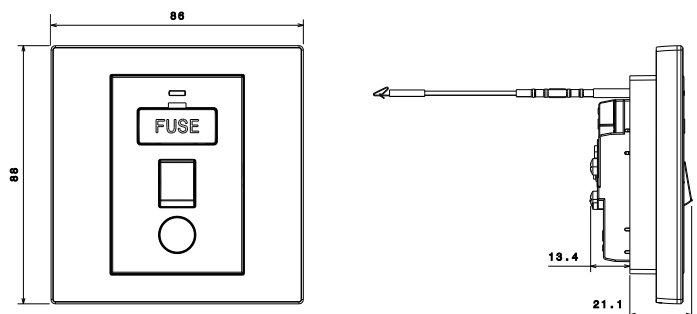
4. OVERALL DIMENSIONS



Profile Size: 86×88 mm
Distance of installation hole: 60.3 mm



Profile Size: 86×88 mm
Distance of installation hole: 60.3 mm



Profile Size: 86×88 mm
Distance of installation hole: 60.3 mm

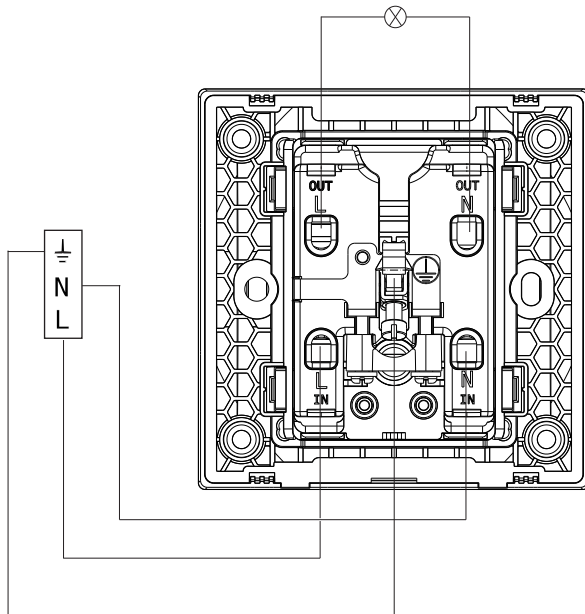
5. CONNECTION

5.1 Terminals

Terminal capacity: 4 × 1.5 mm²
2 × 2.5 mm²
1 × 4 mm²
1 × 6 mm²

Recommended screwdriver size: 4 mm flat blade
Recommended stripping length: 12 mm
Recommended terminal tightening torque: 0.5Nm

5.2 Circuit diagrams



6. OPERATION

Switch mechanism (handling force: 0.9 to 1.6N)

7. TECHNICAL CHARACTERISTICS

7.1 Material characteristics

Rocker: Polycarbonate
Frame: Polycarbonate
Base: Polyamide
Self-extinguishing:
+ 850° C / 30 s for insulating parts holding live parts in place
+ 650° C / 30 s for other parts made of insulating materials

7.2 Electrical characteristics

Voltage: 250VAC
Current: 13A

7.3 Climatic characteristics

Storage temperatures: -10°C to +70°C
Operating temperatures: -5°C to +50°C

7.4 Mechanical characteristics

Impact test: Ik04
Protection against liquids: Ip20

8. CLEANING

Surface cleaning with a soft, slightly damp cloth.
Do not use: acetone, tar remover, trichloroethylene

9. CONFORMITY - APPROVALS

Conform to BS1363-4.