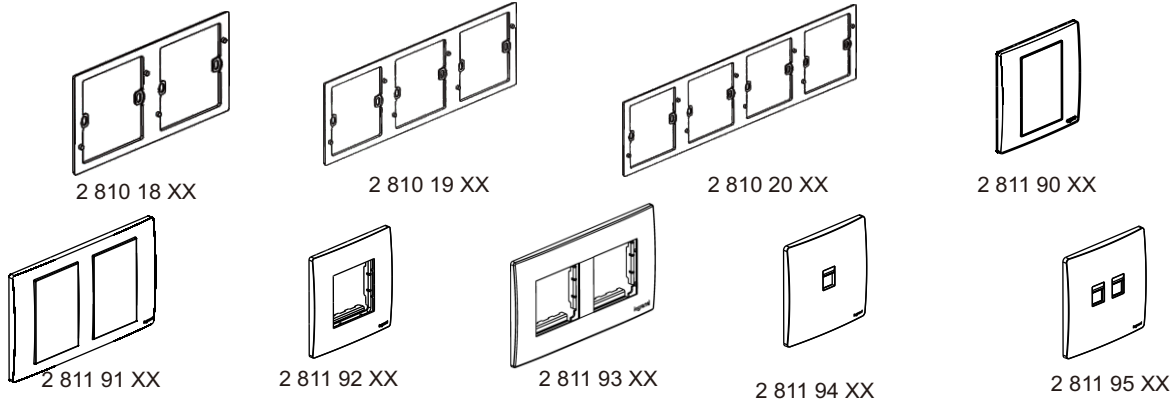


Mallia™ Senses Access

Cat. No(s): 2 810 18/19/20 MW - 2 810 18/19/20 MG 2 811 90/91/92/93/94/95 MW - 2 811 90/91/92/93/94/95 MG
2 810 18/19/20 MB - 2 810 18/19/20 DS 2 811 90/91/92/93/94/95 MB - 2 811 90/91/92/93/94/95 DS
2 810 18/19/20 CH - 2 810 18/19/20 DB 2 811 90/91/92/93/94/95 CH - 2 811 90/91/92/93/94/95 DB
2 810 18/19/20 BA - 2 810 18/19/20 BB 2 811 90/91/92/93/94/95 BA - 2 811 90/91/92/93/94/95 BB
2 810 18/19/20 BC 2 811 90/91/92/93/94/95 BC



1. USE

Decoration and reserve for future use.
(Supplied with M3.5 screws for Flush mounting or surface mounting BS boxes.)

2. RANGE

Designation	Cat. No.
2G PLATE KIT SUPPORT	2 810 18 XX
3G PLATE KIT SUPPORT	2 810 19 XX
4G PLATE KIT SUPPORT	2 810 20 XX
1G BLANKING PLATE	2 811 90 XX
2G BLANKING PLATE	2 811 91 XX
1G 2M ARTEOR ADAPTER	2 811 92 XX
2G 2M ARTEOR ADAPTER	2 811 93 XX
SINGLE KEYSTONE ADAPTER	2 811 94 XX
DOUBLE KEYSTONE ADAPTER	2 811 95 XX

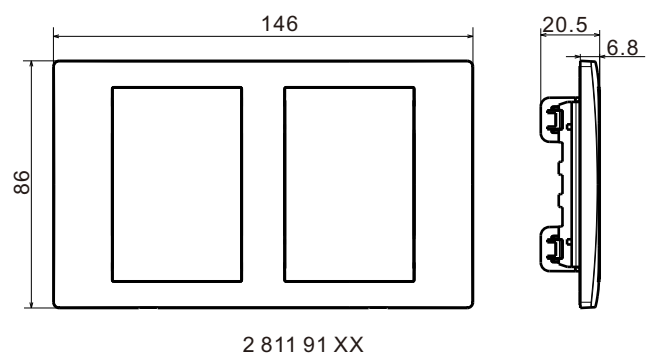
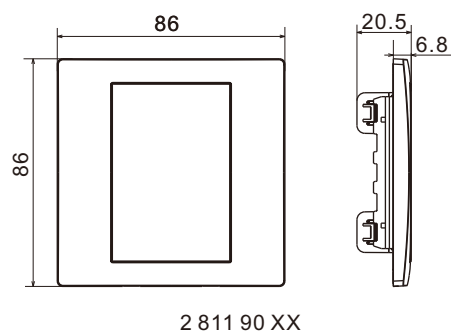
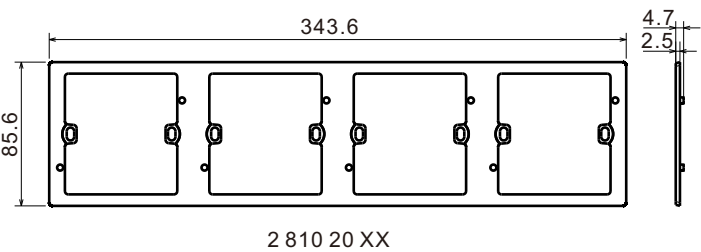
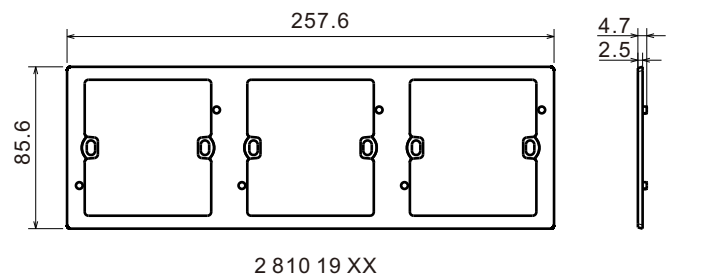
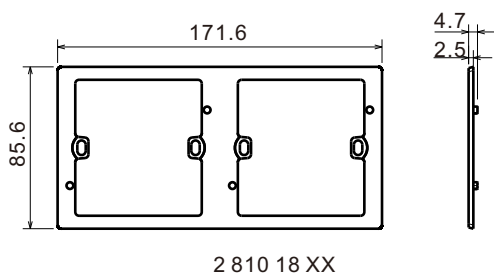
Colours

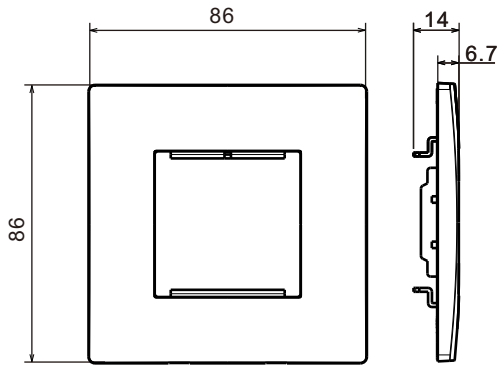
-Front: MW/MG/MB/DS/CH/DB/BA/BB/BC

-Rear: grey

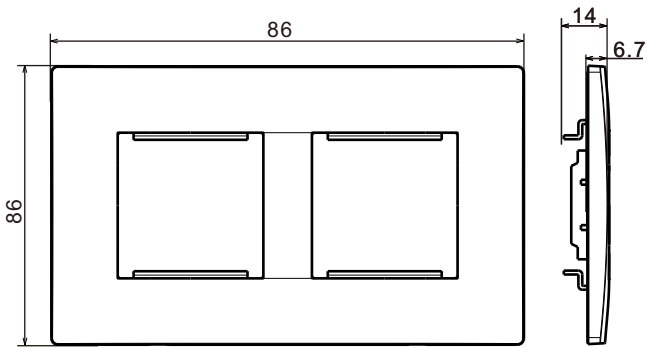
- 2 81X XX MW Matt White
- 2 81X XX MG Matt Grey
- 2 81X XX MB Matt Black
- 2 81X XX DS Dark Silver
- 2 81X XX CH Champagne
- 2 81X XX DB Dark Bronze
- 2 81X XX BA Brushed Aluminium
- 2 81X XX BB Brushed Black
- 2 81X XX BC Brushed Champagne

3. DIMENSIONS (mm)

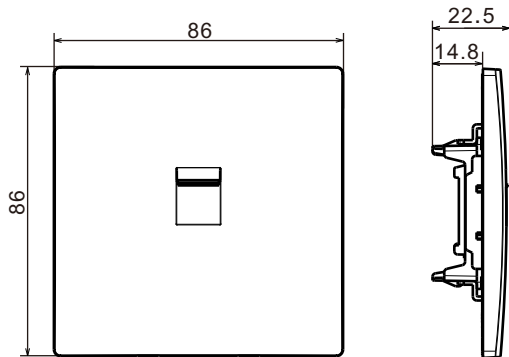




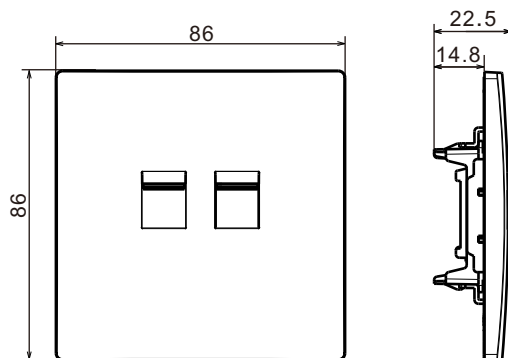
2 810 92 XX



2 810 93 XX



2 810 94 XX



2 810 95 XX

5. TECHNICAL CHARACTERISTICS

5.1 Material characteristics

Plate: PC
 Frame: Steel
 Other: PC
 Self-extinguishing:
 + 650° C / 30 s

5.2 Climatic characteristics

Storage temperatures: -10°C to +70°C
 Operating temperatures: -5°C to +50°C

5.3 Mechanical characteristics

Impact test: IK04
 Protection against solids & liquids: IP20

6. CLEANING

Surface cleaning with a soft, slightly damp cloth.
 Do not use: acetone, tar remover, trichloroethylene

7. CONFORMITY - APPROVALS

Comply with installation and manufacturing standards.
 Refer to e-catalogue.