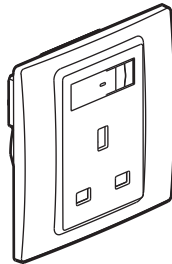
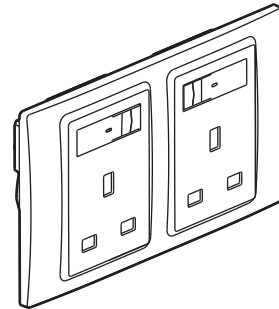


Mallia™ Senses with Netatmo BS 13 connected socket outlets 1-gang and 2-gang

Cat. Nos: 2 815 19DS/MB/MW - 2 815 20DS/MB/MW



2 815 20DS/MB/MW



2 815 19DS/MB/MW

1. USE

Connected socket outlets which can be controlled by a wireless lighting control and/or remotely via your smartphone.
Installation in 1-gang or 2-gang box 35 mm deep (minimum), in place of a standard product.
Supplied with 2 screws M3.5 for BS boxes.

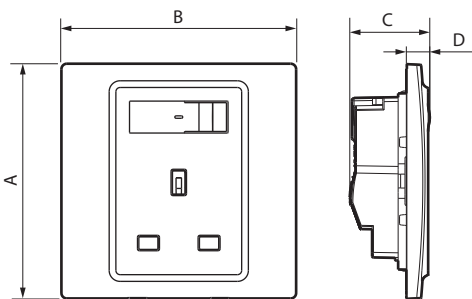
2. RANGE

Description

2 P+E BS13 socket outlets, shuttered.
Complete delivered with protection film.
Equipped with an LED indicator and a RESET button used to return to factory settings.
Single-pole switched.

	Silver	Black	White
1-gang	2 815 20DS	2 815 20MB	2 815 20MW
2-gang	2 815 19DS	2 815 19MB	2 815 19MW

3. DIMENSIONS (mm)

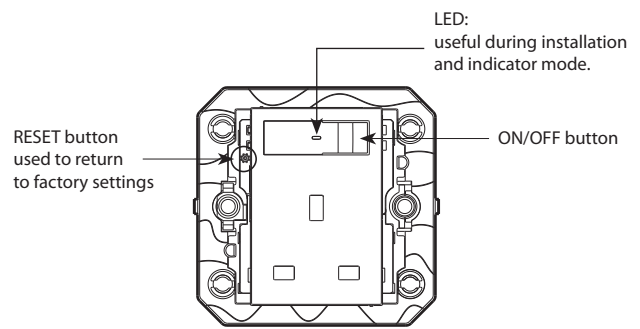


Cat. Nos	A	B	C	D
2 815 20DS/MB/MW	86	86	29.5	8.5
2 815 19DS/MB/MW	86	146	30.5	8.5

4. CONNECTION

Terminal type: automatic
Terminal capacity: 3 x 2.5 mm² or 1 x 4 mm²
Stripping length: 10 mm

5. OPERATION



6. TECHNICAL CHARACTERISTICS

■ 6.1 Mechanical characteristics

Protection against impacts: IK 02
Protection against solid bodies and liquids: IP 20
IP 40 (mounted product)

■ 6.2 Material characteristics

Rocker plate: PC
Mechanism housing: PC
Support frame: PC + 10% glass-fiber
Halogen-free
UV-resistant
Self-extinguishing:
850°C/30 s for insulating parts holding live parts in place.
650°C/30 s for other insulating components

■ 6.3 Electrical characteristics

Voltage: 110-240 V~
Current: 13 A
Frequency: 50/60 Hz
Standby consumption: 1.6 mA

ZigBee radio technology

Frequency bands: 2.4 GHz to 2.4835 GHz
Power level: < 100 mW
Range: 200 m far field
10 m recommended between products indoor

■ 6.4 Climate characteristics

Usage temperature: + 5°C to + 35°C
Storage temperature: 0°C to + 45°C

7. CARE

Clean the surface with a cloth.

Do not use acetone, tar-removing cleaning agents or trichloroethylene.

Resistant to the following products:

Hexane, methylated spirit, soapy water, diluted ammonia, bleach diluted to 10%, window-cleaning products, pre-impregnated wipes.

Caution: Always test before using special cleaning products.

8. STANDARDS AND APPROVALS

Compliant with installation and manufacturing standards.

See e.catalogue.

The undersigned, LEGRAND, declares that the radio-electric equipment type (2 815 19DS/MB/MW - 2 815 20DS/MB/MW) complies with directive 2014/53/EU.

The full text of the EU declaration of conformity is available on the following website: www.legrandoc.com