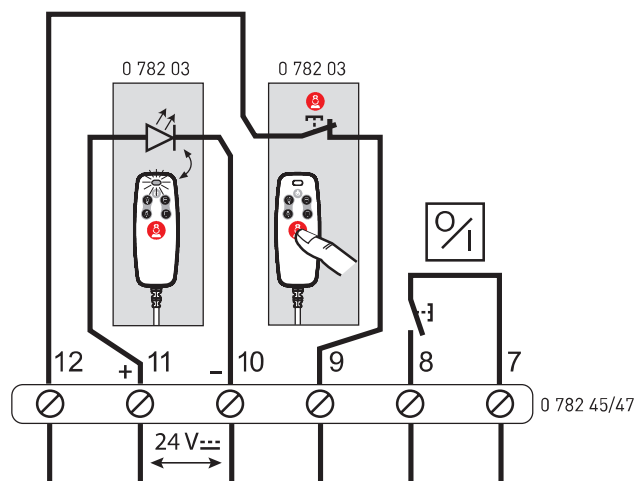




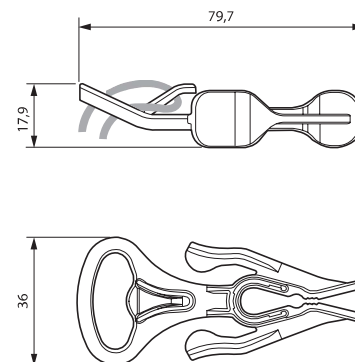
0 782 43: CLAMP FOR CORDED PUSH-BUTTON

Connection



For holding the corded push-button within reach: on bedding, clothes or the arm of a chair,

Overall dimensions



Technical characteristics

- Power supply: via sockets for hand-held remote control units
- Operating temperature: 5 to 40°C
- Storage temperature: -20 to 70°C
- Antimicrobial
- Protection index: IP 67 (without plug)
- Cord length: 2.5 m
- Can be fixed or held in place with clamp Cat. No. 0 782 43
- LED indicators with resistor in parallel:
 - Impedance: 12.45 kΩ
 - DC voltage: 9 to 31 V