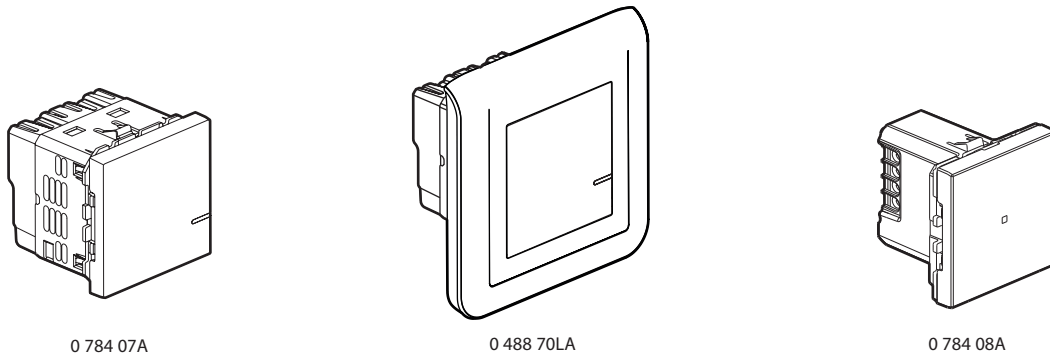


Mosaic™

Dimmer without neutral 125 VA
Dimmer with neutral 150 VA

Cat. No(s): 0 488 70LA - 0 784 07A - 0 791 07LA - 0 792 07A
0 784 08A - 0 791 08LA - 0 792 08A



0 784 07A

0 488 70LA

0 784 08A

1. USE

These products allow the control and variation of all types of lamps.
 Can be associated with one or several push-buttons without neon, each push-button then allowing the on/off/dimming functions.
 Gradually turn the light on and off.
 Lights come on again at the same lighting level as before they were last switched off.

Used:

- in luminous mode (indicator)
- in status memory mode
- in leading mode, trailing depending on the load.

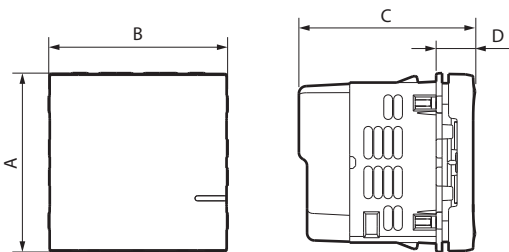
Installed in a box at least 40 mm deep.

Fixing with screws.

2. RANGE

0 784 07A 0 791 07LA 0 792 07A	○ White ● Matte black ● Aluminium	2-wire dimmer without neutral To be equipped with Batibox support and plate
0 488 70LA	○ White	2-wire dimmer without neutral Complete delivered with Batibox support and plate
0 784 08A 0 791 08LA 0 792 08A	○ White ● Matte black ● Aluminium	3-wire dimmer with neutral To be equipped with Batibox support and plate

3. DIMENSIONS (mm)



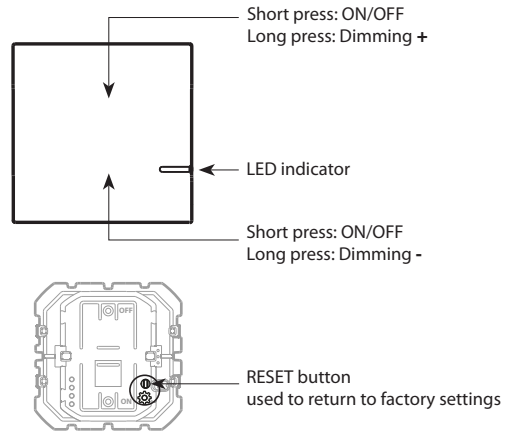
Cat. Nos	A	B	C	D
0 784 07A - 0 791 07LA - 0 792 07A	45	45	44.5	8
0 488 70LA	82	82	44.5	8
0 784 08A - 0 791 08LA - 0 792 08A	45	45	44.5	8

4. CONNECTION

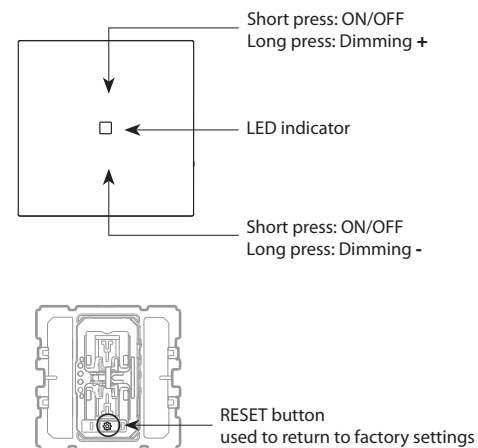
Type of terminals: with screws
 Terminal capacity: 2 x 1.5 mm² or 1 x 2.5 mm²
 Stripping length: 8 mm (without neutral)
 7 mm (with neutral)
 Screwdriver: 3 mm flat

5. OPERATION

■ 5.1 2-wire dimmer without neutral



■ 5.2 3-wire dimmer with neutral



6. TECHNICAL CHARACTERISTICS

■ 6.1 Mechanical characteristics

Protection against impacts: IK 04

Protection against solid bodies and liquids: IP 20

■ 6.2 Material characteristics

Mechanism casing: PC

Support: PA 6.6 + Galfan steel

Rocker: PC

Colour: White RAL 9003

Painted matt black RAL 9017, satin finish

Painted aluminium

Plate (complete product): White ABS RAL 9003, polyglass appearance

Halogen-free

UV-resistant

Self-extinguishing:

850°C/30 s for insulating components holding live parts in place.

650°C/30 s for other insulating components.

■ 6.3 Electrical characteristics - 2-wire without neutral

Voltage: 110-230 V~

Power: 125 W

Frequency: 50/60 Hz

Standby consumption: 0.3 W

Caution: Only works with variable-intensity bulbs.



In case of poor load operation, it may be necessary to use the active compensator Ref. 0 401 49.

■ 6.4 Electrical characteristics 3-wire with neutral

Voltage: 110-230 V~

Power: 150 W

Frequency: 50/60 Hz

Standby consumption: 0.7 W

Caution: Only works with variable-intensity bulbs.



■ 6.5 Climate characteristics

Usage temperature: +5°C to +35°C

Storage temperature: 0°C to +45°C

7. CARE

Clean the surface with a cloth.

Resistance to the following products:

Hexane, methylated spirit, soapy water, diluted ammonia, pure bleach diluted to 10%, window-cleaning products, pre-impregnated wipes.

Caution: Always test before using special cleaning products.

8. STANDARDS AND APPROVALS

Compliant with installation and manufacturing standards.

See e-catalogue.