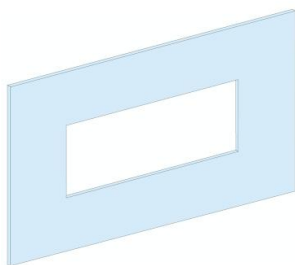


# Product datasheet

Specifications



Front plate, PrismaSeT P, for NSX400/630 3P/INS-INV320/630 source-changeover, 10M, horizontal, white, RAL 9003

LVS03659

## Main

Range	PrismaSeT
Range Of Product	PrismaSeT P
Product Or Component Type	Front plate
Accessory / Separate Part Category	Installation accessory
Range Compatibility	PrismaSeT PrismaSeT P cubicle
Type Of Front Plate	Cut-out
Installed Device	ComPact: fixed INS320...630 source changeover - control: direct front rotary handle - horizontal installation ComPact: fixed INV320...630 source changeover - control: direct front rotary handle - horizontal installation Source changeover: fixed NSX400...630 source changeover without earth leakage protection - control: direct front rotary handle - horizontal installation
Poles Description	2 x 3P: mounting plate support: NSX400...630 source changeover horizontal installation 2 x 4P: mounting plate support: NSX400...630 source changeover horizontal installation 2 x 3P: mounting plate support: INS320...630 source changeover horizontal installation 2 x 4P: mounting plate support: INS320...630 source changeover horizontal installation 2 x 3P: mounting plate support: INV320...630 source changeover horizontal installation 2 x 4P: mounting plate support: INV320...630 source changeover horizontal installation
Operating Position	Horizontal

## Complementary

Enclosure/Cubicle Description	Cubicle - width 650 mm depth 400 mm
Connection Position	Direct connection
Number Of Vertical Modules [50 Mm]	10
Standards	IEC 61439-2 IEC 61439-1
Product Certifications	ASTA
Material	Steel
Surface Finish	Textured Matt
Protective Treatment	Electrophoresis treatment and hot-polymerised polyester epoxy powder
Colour	White (RAL 9003)
Height	500 mm

<b>Width</b>	500 mm
<b>Net Weight</b>	1.62 kg
<b>Quantity Per Set</b>	Set of 1
<b>Functional Unit</b>	650 mm 400 mm PrismaSeT P cubicle ComPact INS320...630 source changeover fixed direct front rotary handle horizontal 3P 2 direct 10 650 mm 400 mm PrismaSeT P cubicle ComPact INS320...630 source changeover fixed direct front rotary handle horizontal 4P 2 direct 10 650 mm 400 mm PrismaSeT P cubicle ComPact INV320...630 source changeover fixed direct front rotary handle horizontal 3P 2 direct 10 650 mm 400 mm PrismaSeT P cubicle ComPact INV320...630 source changeover fixed direct front rotary handle horizontal 4P 2 direct 10 650 mm 400 mm PrismaSeT P cubicle source changeover NSX400...630 source changeover without fixed direct front rotary handle horizontal 3P 2 direct 10 650 mm 400 mm PrismaSeT P cubicle source changeover NSX400...630 source changeover without fixed direct front rotary handle horizontal 4P 2 direct 10

## Packing Units

<b>Unit Type Of Package 1</b>	PCE
<b>Number Of Units In Package 1</b>	1
<b>Package 1 Height</b>	3 cm
<b>Package 1 Width</b>	51.5 cm
<b>Package 1 Length</b>	51.5 cm
<b>Package 1 Weight</b>	1.685 kg
<b>Unit Type Of Package 2</b>	CAR
<b>Number Of Units In Package 2</b>	6
<b>Package 2 Height</b>	11 cm
<b>Package 2 Width</b>	52.5 cm
<b>Package 2 Length</b>	53 cm
<b>Package 2 Weight</b>	10.663 kg
<b>Unit Type Of Package 3</b>	P12
<b>Number Of Units In Package 3</b>	36
<b>Package 3 Height</b>	43 cm
<b>Package 3 Width</b>	80 cm
<b>Package 3 Length</b>	120 cm
<b>Package 3 Weight</b>	75.5 kg

## Sustainability

**Green Premium™ label** is Schneider Electric's commitment to delivering products with best-in-class environmental performance. Green Premium promises compliance with the latest regulations, transparency on environmental impacts, as well as circular and low-CO<sub>2</sub> products.

**Guide to assessing product sustainability** is a white paper that clarifies global eco-label standards and how to interpret environmental declarations.

[Learn more about Green Premium >](#)

[Guide to assess a product's sustainability >](#)



Transparency RoHS/REACH

## Well-being performance

✓ Reach Free Of Svhc

✓ Toxic Heavy Metal Free

✓ Mercury Free

✓ Rohs Exemption Information [Yes](#)

✓ Pvc Free

✓ Halogen Free Plastic Parts Product

## Certifications & Standards

**Reach Regulation**

[REACH Declaration](#)

**Eu Rohs Directive**

Pro-active compliance (Product out of EU RoHS legal scope)

[EU RoHS Declaration](#)

**China Rohs Regulation**

[China RoHS declaration](#)

Pro-active China RoHS declaration (out of China RoHS legal scope)

**Environmental Disclosure**

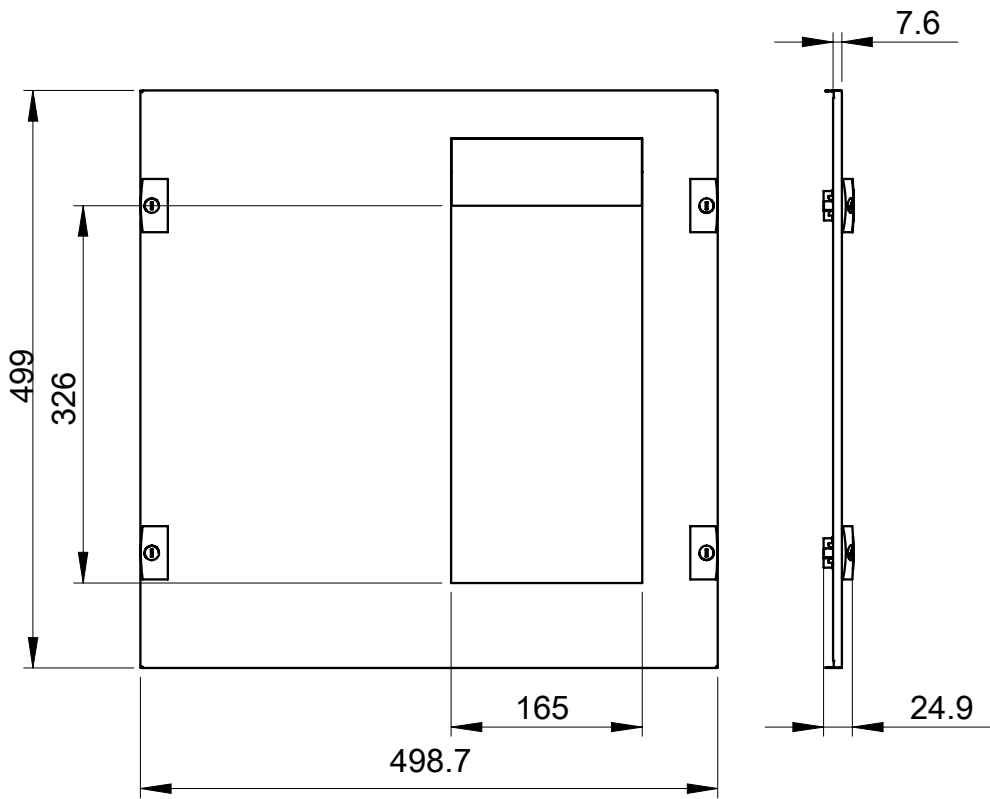
[Product Environmental Profile](#)

**Circularity Profile**

No need of specific recycling operations

Dimensions

---



- All dimensions are approximate and are in mm.
- Also see technical documentation.